

PRODUCT INFORMATION PACKET



Model No: C4T17DB17A

Catalog No: E100446.00

..1/3HP..1800RPM.48FR.ODP.230/460V.3PH.60HZ.CONT.40C.1.35 S.F..RIGID.....

Open Drip Proof (ODP)



Regal and Leeson are trademarks of Regal Beloit Corporation or one of its affiliated companies.

©2018 Regal Beloit Corporation, All Rights Reserved. MC017097E





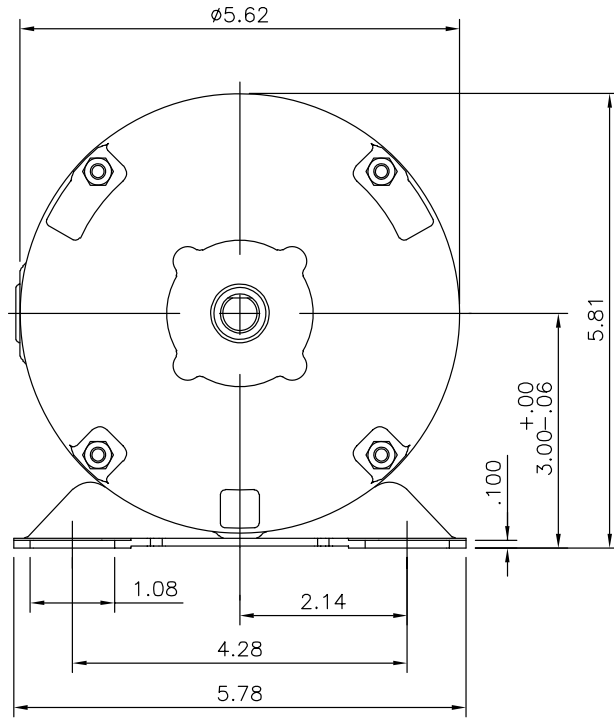
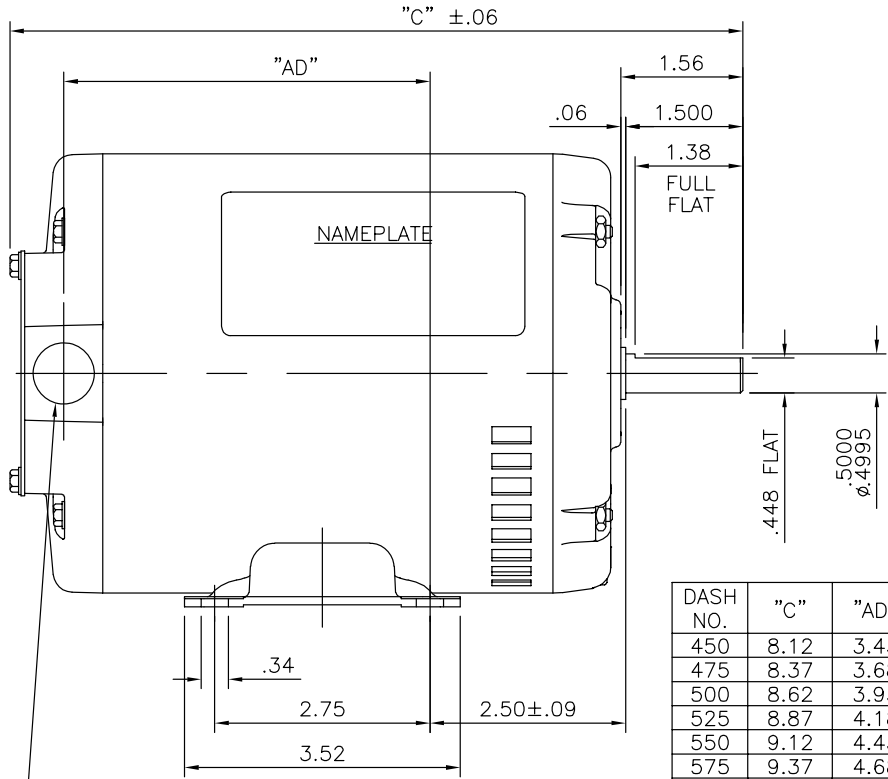
Nameplate Specifications

Output HP	0.33 Hp	Output KW	0.25 kW
Frequency	60 Hz	Voltage	230/460 V
Current	1.2/0.60 A	Speed	1725 rpm
Service Factor	1.35	Phase	3
Efficiency	73.4 %	Duty	Continuous
Insulation Class	B	Design Code	B
KVA Code	M	Frame	48
Enclosure	Drip Proof	Overload Protector	No
Ambient Temperature	40 °C	Drive End Bearing Size	6203
Opp Drive End Bearing Size	6203	UL	Recognized
CSA	Y	CE	Y
IP Code	22		

Technical Specifications


Electrical Type	Squirrel Cage Inverter Rated	Starting Method	Line Or Inverter
Poles	4	Rotation	Reversible
Mounting	Rigid base	Motor Orientation	HORIZONTAL
Drive End Bearing	BALL	Opp Drive End Bearing	BALL
Frame Material	Rolled Steel	Shaft Type	NEMA 48
Overall Length	11.12 in	Frame Length	7.50 in
Shaft Diameter	0.500 in	Shaft Extension	1.5 in
Assembly/Box Mounting	F1 ONLY		
Outline Drawing	A-SS404129-750	Connection Diagram	A-EE7308-REGAL

SS404129



DASH NO.	"C"	"AD"
450	8.12	3.43
475	8.37	3.68
500	8.62	3.93
525	8.87	4.18
550	9.12	4.43
575	9.37	4.68
600	9.62	4.93
625	9.87	5.18
650	10.12	5.43
675	10.37	5.68
700	10.62	5.93
725	10.87	6.18
750	11.12	6.43
775	11.37	6.68

1/2-14 NPT
CONDUIT HOLE
(PLUGGED)

		TOLERANCES UNLESS SPECIFIED		 Regal Beloit America, Inc.	DRAWN PVR 12/22/14		
		DEC.	INCHES		CHK AP 12/22/14		
			.X	±.1	APPD		
			.XX	±.03	TITLE		
			.XXX	±.005	OUTLINE - 48 FRAME		
			.XXXX	±.0005	RIGID MOUNT - DRIP PROOF		
A	NEW DRAWING	PVR 12/22/14	AP	.XXXX	±.0005	MAT'L.	SCALE 1=2
NO.	REVISION	BY & DATE	CHK	ANG	±1/2"	FINISH	REF 031622
THIS DRAWING IN DESIGN AND DETAIL IS OUR PROPERTY AND MUST NOT BE USED EXCEPT IN CONNECTION WITH OUR WORK ALL RIGHTS OF DESIGN AND INVENTION ARE RESERVED THIS IS AN ELECTRONICALLY GENERATED DOCUMENT - DO NOT SCALE THIS PRINT			RFP	CAD FILE	SS404129	SIZE	DRAWING NO.
			DIST			A	SS404129
							REV. A

EE7308

THREE PHASE
DUAL VOLTAGE MOTOR



VIEW OF TERMINAL END

REF.
WINDING DIAGRAM

T8Y, T2Y, T2BL, T4BX, T2EC, T2G
T6BZ, T2B, T6BL, T4AV, T6B, T4B

OPTIONAL CORD
CONNECTION

L1 — WHITE
L2 — RED
L3 — BLACK

NO.	REVISION	BY & DATE	CHK	ANG	TOLERANCES UNLESS SPECIFIED		FINISH	DRAWN RM 11/20/1990				
					DEC.	INCHES						
5	CHG TO REGAL LOGO	SL 09/10/2015	AB					CHK ML 11/21/1990				
4	REVISED IEC NOTATIONS	MSG 11/15/2011	CMN	.X	±.1			APPD SAS 04/24/2003				
3	ADDED IEC NOTATIONS... (U1), (V1) ETC. MU95194	MSG 5/10/2010	MJS	.XX	±.02			SCALE 1=1				
2	ADDED THE OPTIONAL CORD CONNECTION MU46318	RDH 04/24/2003	DRS	.XXX	±.005		TITLE CONNECTION DIAGRAM 3Ø - DUAL VOLTAGE MOTOR	REF				
1	REDRAWN	RM 11/20/1990		.XXXX	±.0005		MAT'L.	FMF				
					±7'30"			PREV				
THIS DRAWING IN DESIGN AND DETAIL IS OUR PROPERTY AND MUST NOT BE USED EXCEPT IN CONNECTION WITH OUR WORK ALL RIGHTS OF DESIGN AND INVENTION ARE RESERVED THIS IS AN ELECTRONICALLY GENERATED DOCUMENT - DO NOT SCALE THIS PRINT							RFP	CAD FILE ee7308	SIZE A	DRAWING NO. EE7308	PAGE OF 5	REV. 5
							DIST WP					



Regal Beloit America, Inc.

3Ø - DUAL VOLTAGE MOTOR



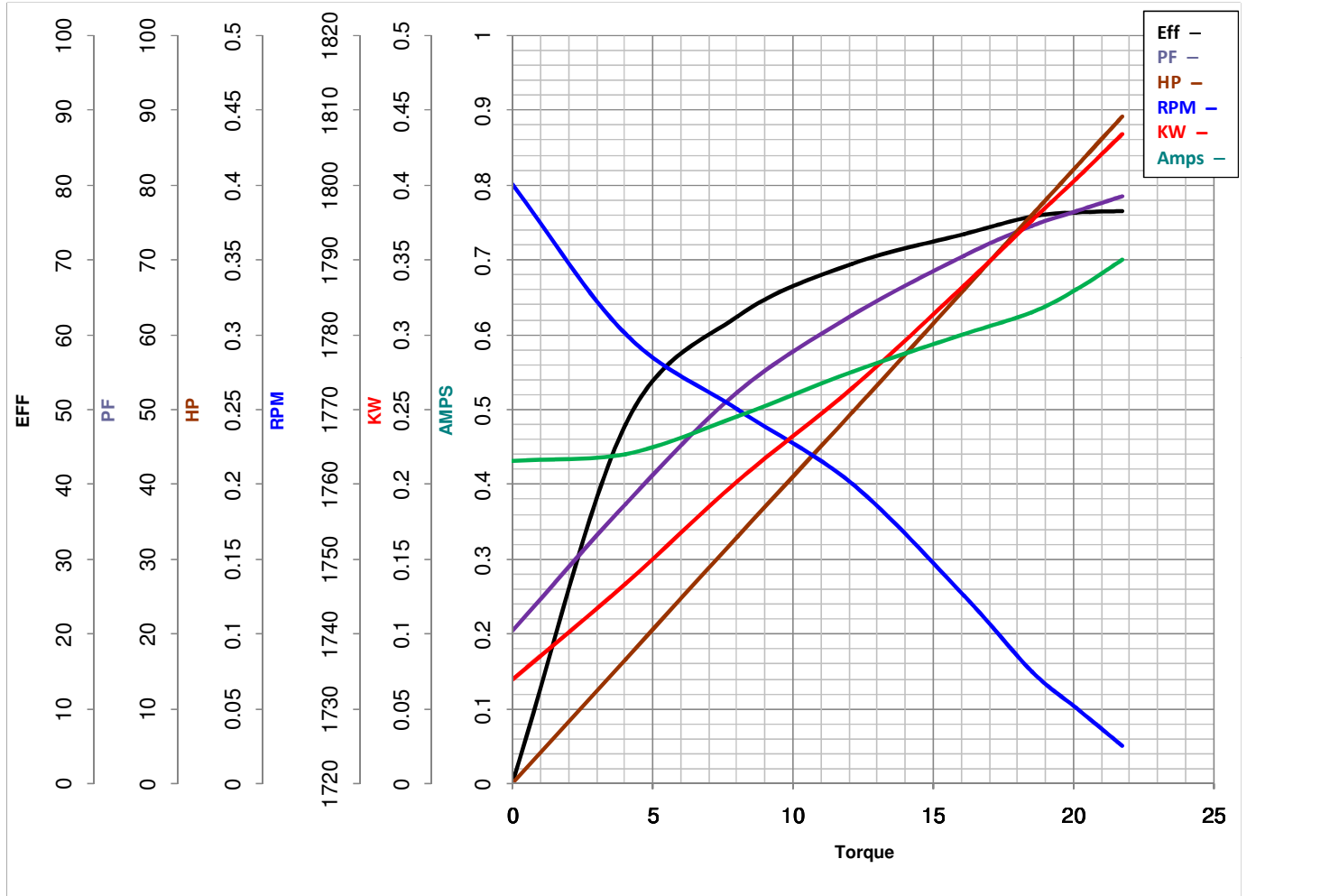
LEESON ELECTRIC CORPORATION
 TYPICAL PERFORMANCE CURVE for AC MOTOR

Model No E100446.00

Curve at 460 Volts HP 0.33&0.25 PHASE 3
60 HZ
0.33 HP VOLTS 230/460&190/380

Catalog No E100446.00

HZ 60&50 RPM 1725&1425



FL TORQUE	<u>16.1</u>	Oz.Ft	FL AMPS	<u>1.2/6</u>	
BD TORQUE	<u>77.6</u>	Oz.Ft	PU TORQUE	<u>64.3</u>	Oz.Ft
LR TORQUE	<u>70.7</u>	Oz.Ft	LR AMPS	<u>4.47</u>	
WINDING	TE484125-3		Date	5/23/2018	